



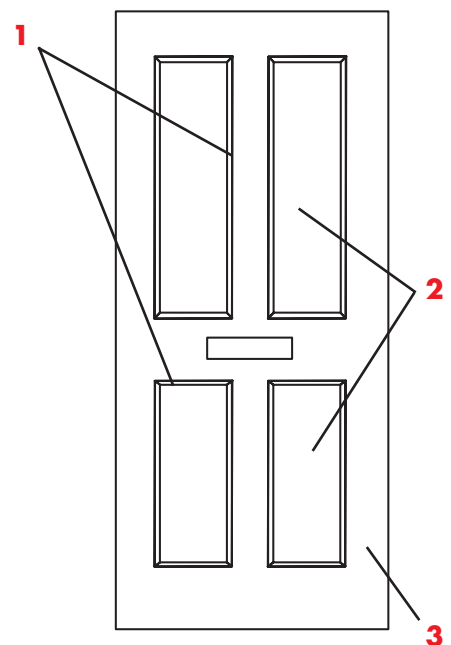
HOW TO PAINT WOOD AND METAL

A good quality finish on wood and metal makes a big difference. The practical advice below will help you get the best results and really put the finishing touches to your home exterior.

- For the perfect gloss finish always use a good quality bristled brush. With solvent-based paint, use natural bristle brushes. With water-based paint, use synthetic bristle brushes.
- You will need 3 brush sizes - 50mm and 25mm (2in and 1in) for the main work and 12mm (1/2in) for the narrow glazing bars.
- For a long-lasting and highest gloss finish, start with one or two coats of good quality undercoat and finish with two coats of gloss.
- Start at the top of each surface. First paint vertically, then use horizontal and diagonal strokes to spread the paint and cover the surface evenly. Finish with light strokes in the direction of the wood grain, to remove brush marks.
- Blend each new area of paint into the last, blurring the wet edges to avoid obvious joins. Don't repaint over parts which have already started to dry.

THE BEST ORDER TO PAINT A DOOR

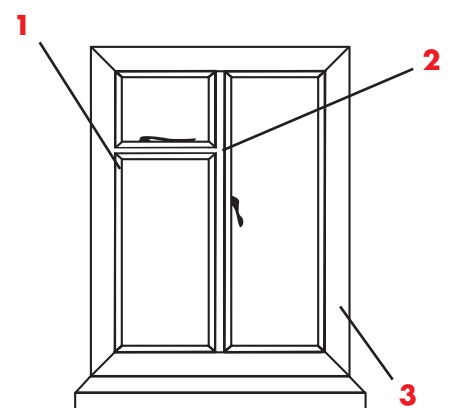
- A plain door should be painted from the top working downwards.
- For a panel door:
 1. Start with the mouldings around the panels
 2. Then paint the main panels
 3. Finish with the frame members.



Order of painting a door

THE BEST ORDER TO PAINT A WINDOW

- Use masking tape or a paint guard to keep paint off the glass.
- 1. Start by painting the glazing bars around the glass
- 2. Paint the window uprights
- 3. Finish with the outer frame
- Remove masking tape before the paint is completely dry, to prevent spoiling the paint finish.



Order of painting a window



NEED ADVICE?

Call Sandtex® PaintTalk on 01 8164400